

PRODUCT INFORMATION PACKET

Model No: 5KH35HN9
Catalog No: H229
1/3, 1725, DP, 48, 1/60/115
Open Drip Proof (ODP)



Regal and Marathon are trademarks of Regal Beloit Corporation or one of its affiliated companies.

©2018 Regal Beloit Corporation, All Rights Reserved. MC017097E





Nameplate Specifications

Output HP	0.33 Hp	Output KW	0.25 kW
Frequency	60 Hz	Voltage	115 V
Current	6.8 A	Speed	1725 rpm
Service Factor	1	Phase	1
Efficiency	57.7 %	Duty	Continuous
Insulation Class	B	KVA Code	S
Frame	48	Enclosure	Drip Proof
Overload Protector	N/R	Ambient Temperature	40 °C
Drive End Bearing Size	6203	Opp Drive End Bearing Size	6203
UL	Recognized	CSA	Yes
CE	N		

Technical Specifications

Electrical Type	Split Phase	Starting Method	SM
Poles	4	Rotation	Selective Counterclockwise
Mounting	Rigid base	Motor Orientation	Any
Drive End Bearing	BALL	Opp Drive End Bearing	BALL
Frame Material	Rolled Steel	Overall Length	9.25 in
Frame Length	5.79 in	Shaft Diameter	0.500 in
Shaft Extension	1.5 in		
Outline Drawing	52A109377P4	Connection Diagram	52A105377AA

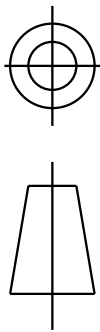
This is an uncontrolled document once printed or downloaded and is subject to change without notice. Date Created: 06/29/2018

REVISIONS

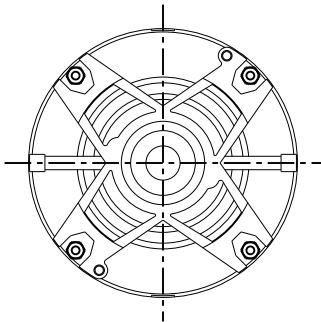
REV.	DESCRIPTION	DATE	APPROVED
1	ADDED "CONTINUED FROM ---"	05/15/95	M. D. PAPE
2	ADDED PARTS #2-#6.	08/09/95	M. D. PAPE
3	UPDATED AS PER ISO5-2229	09/21/05	PRAVEEN. K

This document is the property of REGAL-BELOIT CORPORATION ("REGAL") including its subsidiaries and divisions and contains proprietary information of REGAL. This document is loaned on the express condition that neither the recipient nor any other person shall be permitted to disclose, disseminate, or otherwise use the information contained herein without the express written consent of REGAL. REGAL shall not be held liable for any errors or omissions in this document. This document shall be returned to REGAL upon its request. This document may be subject to certain restrictions under U.S. export control laws and regulations.

THIRD ANGLE PROJECTION

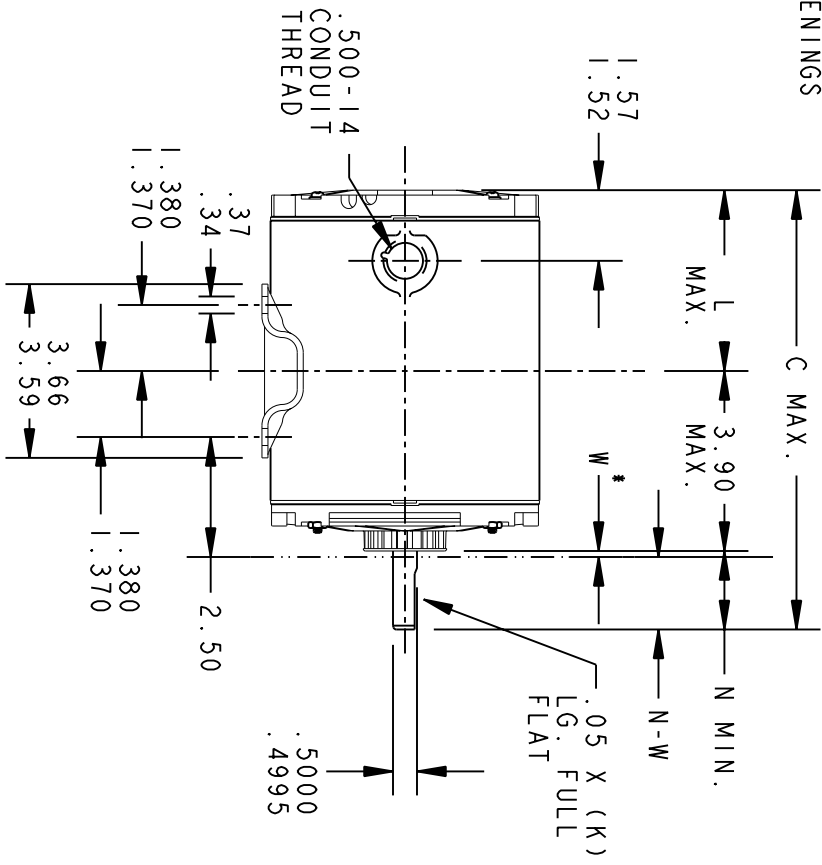
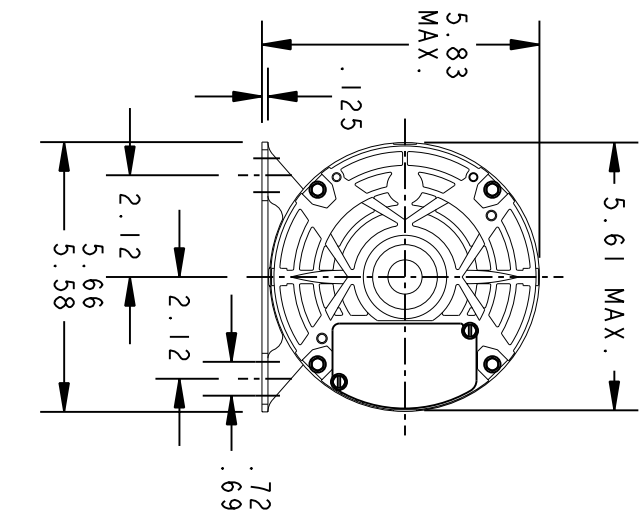


52A109377 3



VIEW SHOWING P.F.E. VENTILATION OPENINGS

W* IS A CLEARANCE DUE TO VARIATION IN PARTS AND ASSEMBLY.



6	K KH	38	48	10.68	1.16	5.22	1.50	1.63/1.41	7.22
5	K KH	37	48	10.08	1.16	4.62	1.50	1.63/1.41	6.62
4	K KH	35	48	9.25	1.16	3.79	1.50	1.63/1.41	5.79
3	K KH	33	48	8.87	1.16	3.41	1.50	1.63/1.41	5.41
2	K KH	32	48	8.62	1.16	3.16	1.50	1.63/1.41	5.16
1	K KH	36	48	9.68	1.16	4.22	1.50	1.63/1.41	6.22
P	T TYPE	GE SIZE	NEMA FR	C	K	L	N	N-W	SHELL REF.

CONTINUED FROM 52A102336

FOR ADDITIONAL INFO REFER TO:
 APPLIED PRACTICES
 DIMENSIONS ARE IN INCHES

REGAL-BELOIT CORPORATION
OUTLINE

TOLERANCE ON:
 1 PL DECIMALS ± 0.1
 2 PL DECIMALS ± 0.02
 3 PL DECIMALS ± 0.005
 ANGLES ± 1.0
 FRACTIONS ±

FINISH

ISSUED M.A.M. 12/14/93

SOLID MODEL: 52A109377

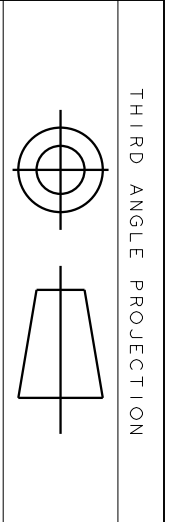
FORM N - GENERAL PURPOSE MOTOR - DRIP PROOF
 WELDED BASE - BALL OR SLEEVE BEARING

SCALE: 1.000 REF. No.:

52A109377

REV 3

SHEET 1 of 1



THIRD ANGLE PROJECTION

REVISIONS

REV.	DESCRIPTION	DATE	APPROVED
1	UPDATED FORMAT	11/10/05	MAM

EITHER ROTATION - SINGLE VOLTAGE
TYPE KC, OR KH



NOTE #1 - TO REVERSE ROTATION INTERCHANGE BLACK (T5-KH OR J9-KC) AND RED (T8) LEADS.

NOTE #2 - WHEN MORE THAN ONE CAPACITOR IS USED CONNECT IN PARALLEL.

REF. DIAG. - 121A850		SWITCH (C) - 115D958AB	
SIGNATURES		CONNECTION LABEL - 52X332047	
MODEL	M.D. PAPER	REGAL-BELOIT CORPORATION	
DETAIL	DATE	REGAL-BELOIT	
CHECKED		CONNECTION DIAGRAM	
ENGRG		FME: 30 FRAME SWITCH REDESIGN	
MFG		52A105377AA	
APPLIED PRACTICES	QUALITY	SCALE: 1.000	
DIMENSIONS ARE IN INCHES	ISSUED	REF. No:	
MATERIAL	SOLID MODEL: 52A105377AA	SHEET 1 of 1	